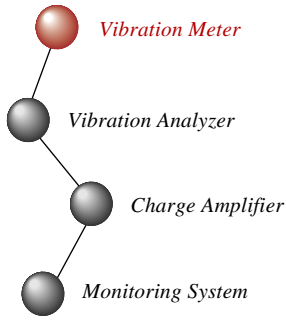


Respond to the needs; "safe and comfortable"

SHOWA



VIBROMETER WITH ANALYZER

MINI VIBRO

Model-1022A

Analog indication type vibrometer featuring compactness and high sensitivity. Vibration frequency analysis using built-in tunable filter. For measuring Vibration Severity.



VIBROMETER WITH ANALYZER MINI VIBRO

Model-1022A

Features

- Compact and lightweight precision vibrometer for measuring vibrations of rotary machines, reciprocating machines, etc.
- Applications include measurements of acceleration, velocity and displacement. MINI-VIBRO is most suitable for measuring very small vibrations.
- Built-in frequency analyzing filter allows frequency analysis in a simple operation.
- Velocity measuring function is conformed to JIS B0907(ISO2954) "Standard for Vibration Severity Measuring Instrument".
- Vibration pickup can be hand-held or fixed with screws(M10).
- Optional magnet(MG-2) available for ease of fixing Pick up.
- Analog indication makes reading of fluctuating vibrations easier.

Composition

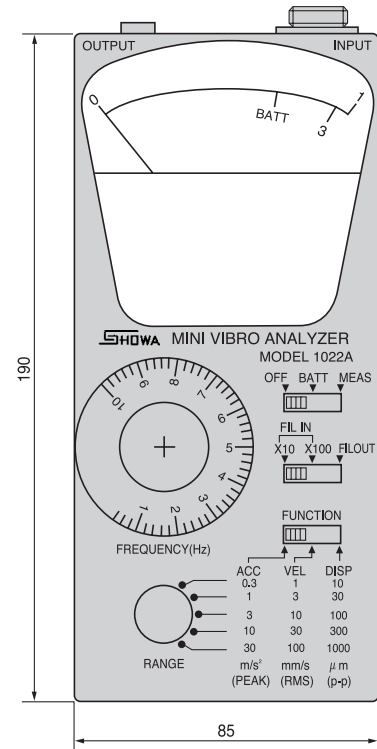
MinivibroMODEL1022A	1pc
VibrationpickupMODEL 2008.....	1pc
Contact pin	1pc
Pickup cable 1m CA24111	1pc
Outputcable 1m CA1311 1.....	1pc
Dry cell 006P (9V)	1pc
Carrying case	1pc
Instructionmanual.....	1copy
Magnetholder(MG 2).....	option

Specifications

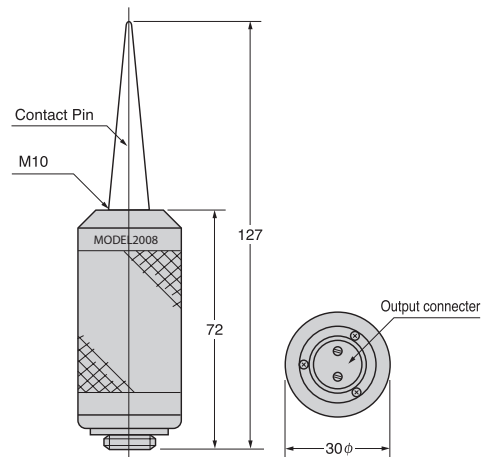
Measurement full scale range (10dB step, 5ranges)	
Displacement range	10,30,100,300,1000 μmPP
Velocity range	1,3,10,30,100mm/s RMS
Acceleration range	0.3,1,3,10,30m/s ² PEAK
rectifier	True RMS
Indication	Acceleration··EQ Peak Velocity··True RMS Displacement··EQ PP
Frequency range	10~1000Hz
Analysis filter	10~1000Hz Q=10
AC Output	±1V/Full Scale
DC Output(option)	+1V/Full Scale
Accuracy	Within3% on the amplitude measurement of sinusoidal wave 80Hz, 10mm/s RMS
Power supply	Dry cell 006P (9V)1pc 16 hours or more continuous operation
Temperature range	Operation 0°C ~ +50°C Warehouse -20°C ~ +70°C
Dimensions, weight	Mini Vibro(W) 85 × (H) 190 × (D) 55mm 700g Pickup(H) 72 × (Dia) 30mm 140g Contact pin(L) 55mm 20g Magnet holder(H) 30 × (Dia) 40mm 260g

Dimensions

Mini Vibro MODEL-1022A



Pickup MODEL-2008



Unit:mm

SHOWA Respond to the needs; "safe and comfortable"

SHOWA SOKKI CORPORATION

■ Head Office :
1-5-9, Kandaizumi-cho, Chiyoda-ku, Tokyo, 101-0024 JAPAN.
Phone : 03-3866-3210 Fax : 03-3866-3060

■ Factory :
1547-1 Takao-machi, Hachioji, Tokyo, 193-0844 JAPAN.
Phone : 042-664-3232 Fax : 042-664-3276

<http://www.showasokki.co.jp/> E-mail: eigo@showasokki.co.jp

Agent:



312, Sai Chambers, Near Santacruz Bus Depot,
Santacruz (East), Mumbai - 400 055
Telephone: +91-22-6697 6816/ 67
Fax: +91-22-2610 9608
Email: sales@suntek-services.com
Website: <http://www.suntek-services.com>

0101 3K(NK)