

Vibro-Switch Model-1500A

Detects unusually great vibrations and gives an alarm signal. Sensor, alarm setting and alarm contact are entirely united in one body for ease of operation.



- Compact design, low price and accurate vibration monitoring at 2 upper limits.
- Vibration modes for acceleration, velocity and displacement are selectable with internal switch.
- Drip-proof aluminum housing connectable with flexible conduits.
- Alarm level setting at a step of 1% from 1 to 99% with internal digital switch
- Two different alarming steps, one for self-holding operation and the other for automatic resetting operation are provided.
- Alarm delay of up to 60 seconds can be set to prevent malfunction.
- Low power consumption of 12mA(Typ) at 24V DC.
- Usable for monitoring vibrations in motors, fans, piping, etc.

Vibro-Switch

Model-1500A

SPECIFICATIONS

Alarm setting range:	① Acceleration: 1~99m/s ² (p)
(Select 1,2 or 3.)	② Velocity: 1~99mm/s(p)
	③ Displacement: 0.01~0.99mm(P-P)
Frequency characteristics:	Acceleration: 5~500Hz
(+5%, -10%)	Velocity: 10~500Hz
	Displacement: 10~500Hz
Accuracy:	Within 5% (25°C, 80Hz, 10m/s ² measurement of sinusoidal wave)
Linearity:	Within 1% of full scale
Driving power supply:	DC24V V, 12mA(Typ), A(max)
Relay operation:	sec variable

Self-holding operation and automatic resetting operation, make contact by MOSFET.

(Resetting by turning off driving power supply)

Contact rating AC/DC V, A

Housing construction: Material Aluminium(with neoprene packing)
Protection IP-64

Vibration resistance: 10m/s² for vibration, 100m/s² for shock

Dielectric strength: V AC between relay contact and housing for 1 minute

V AC between relay contact and power supply (24V) for 1 minute

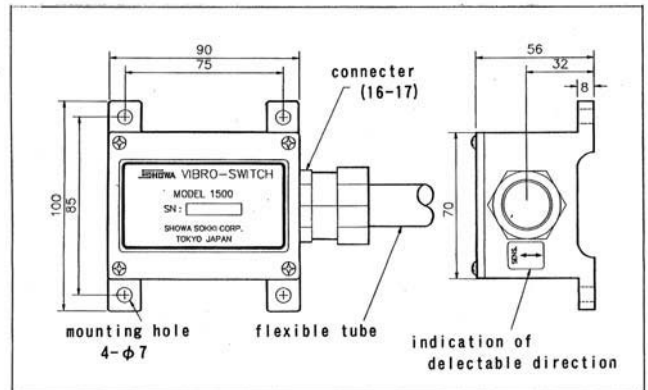
Power line is connected to housing at 0.1 μF
0.2~1.3mm²(AWG24~16)

Applicable electric wire:

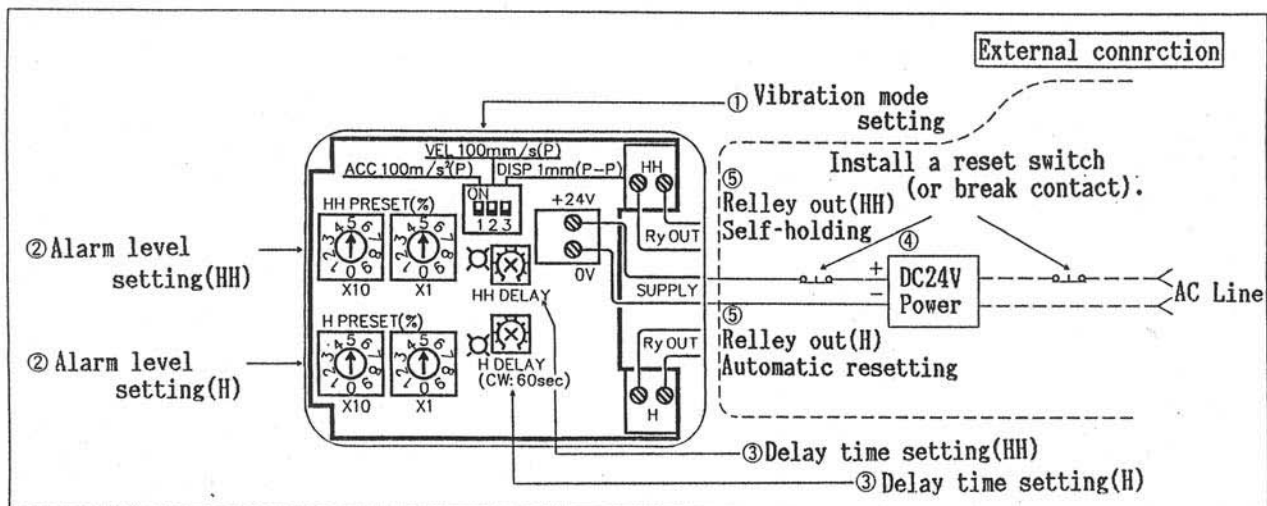
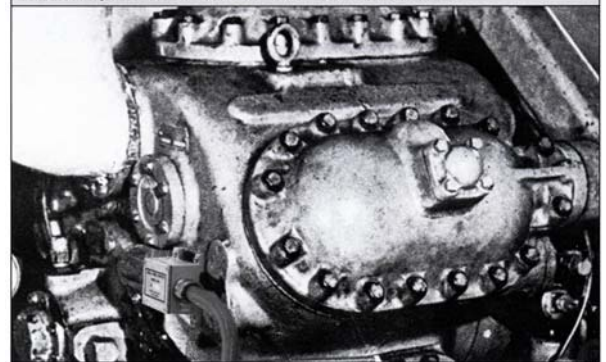
Applicable conduit: Flexible conduit, 17mm ID, 23mm OD

Brand name HIFLEX WHITE PVC
(Made by MATSUSHITA DENKO)

DIMENSIONS



Example for built-in a machine



Always satisfying needs for Safety and Comfortability.

SHOWA SOKKI CORPORATION

Ondo Bldg, 1-5-9, Kandaizumi-chō, Chiyoda-Ku, Tokyo, 101 JAPAN

Phone : 03-3866-3210 FAX : 03-3866-3060

Factory : 5-1-8 Sanda-chō, Hachioji-shi, Tokyo, 193 JAPAN

Phone : 0426-64-3232 FAX : 0426-64-3276

http://www.showasokki.co.jp/ E-mail:eigy@showasokki.co.jp

AGENT:



312, Sai Chambers, Near Santacruz Bus Depot,

Santacruz (East), Mumbai - 400 055

Telephone: +91-22-6697 6816/ 67

Fax: +91-22-2610 9608

Email: sales@suntek-services.com

Website: http://www.suntek-services.com